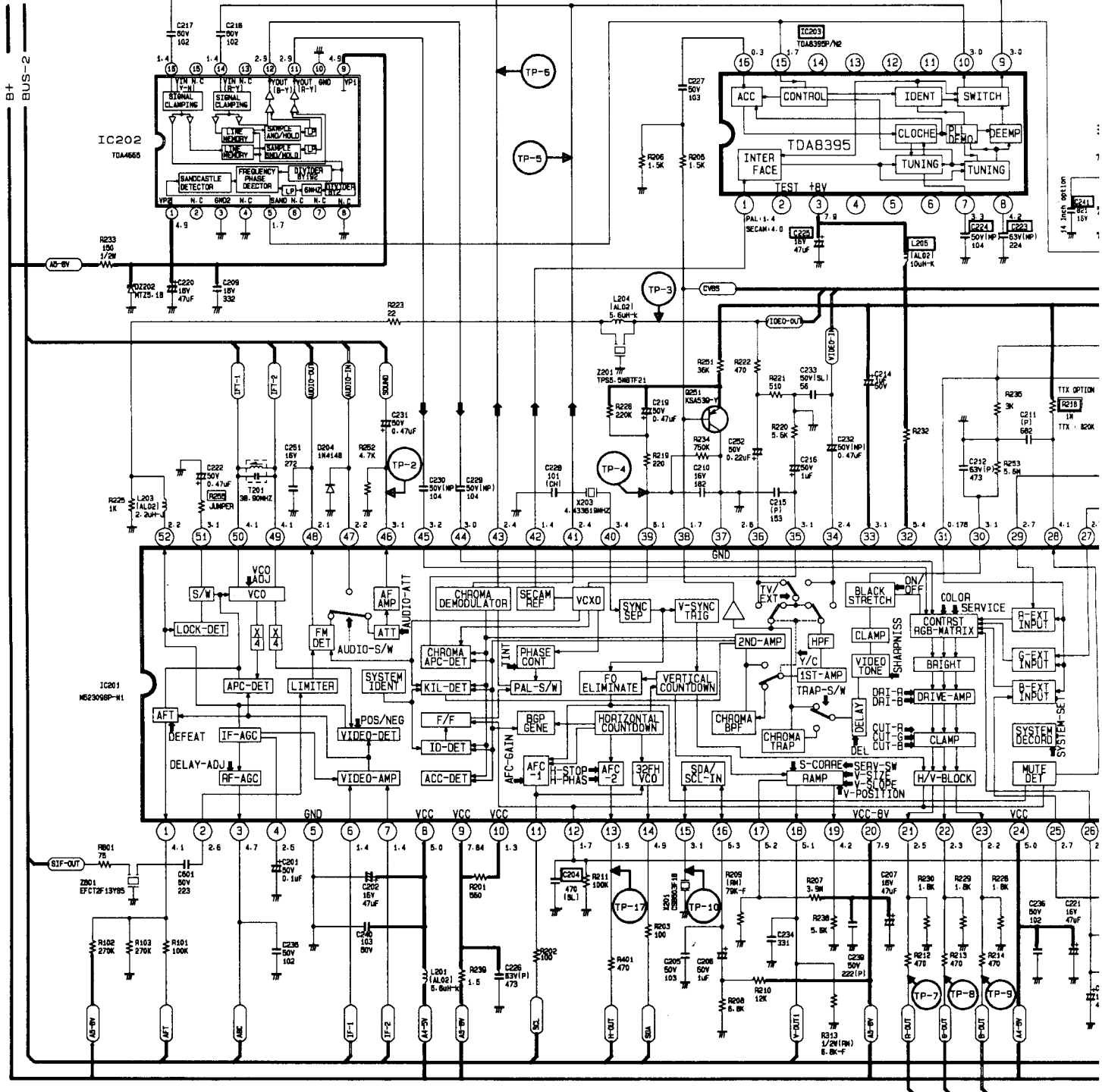
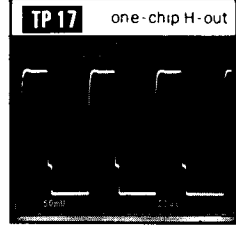
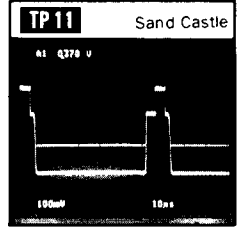
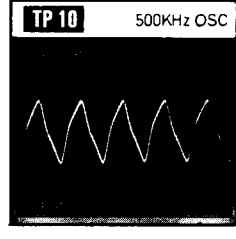
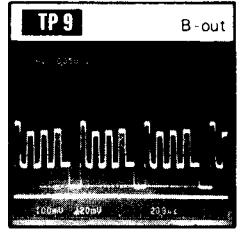
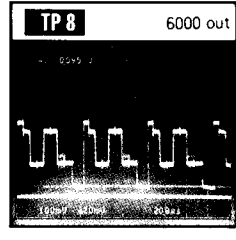
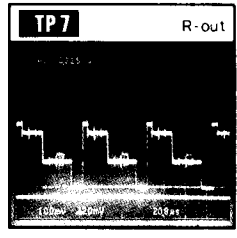
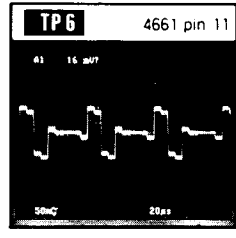
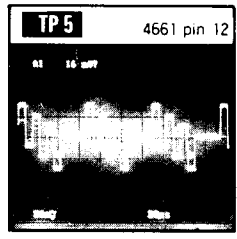
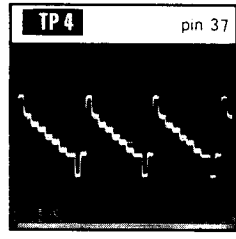
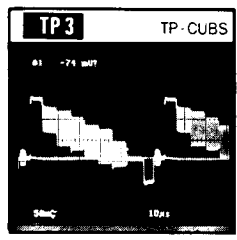
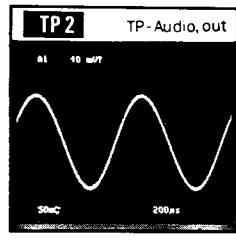
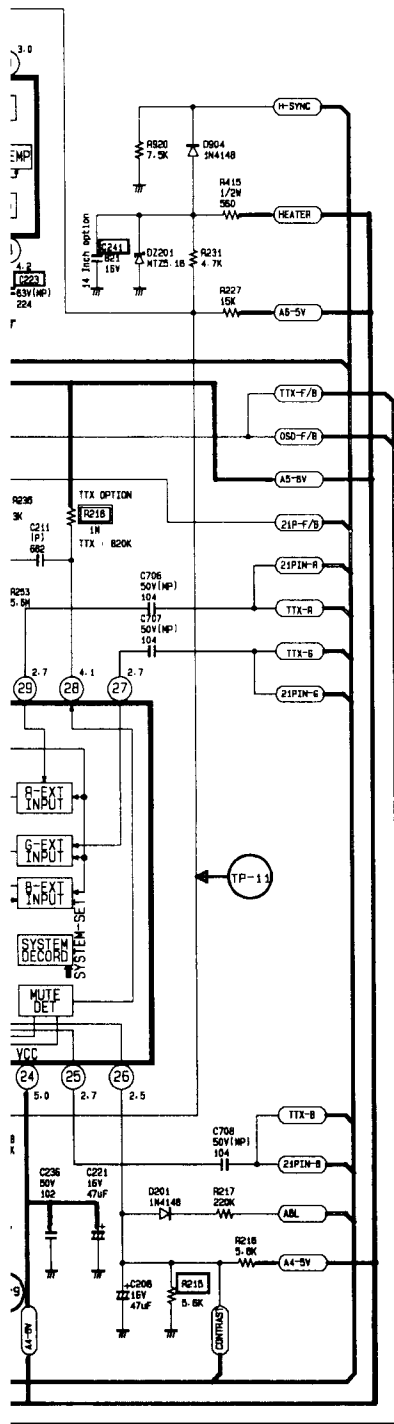


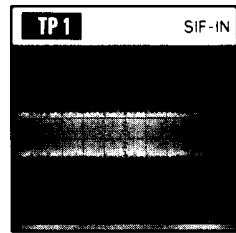
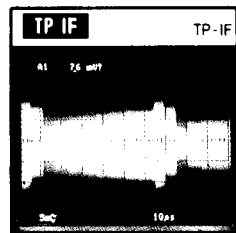
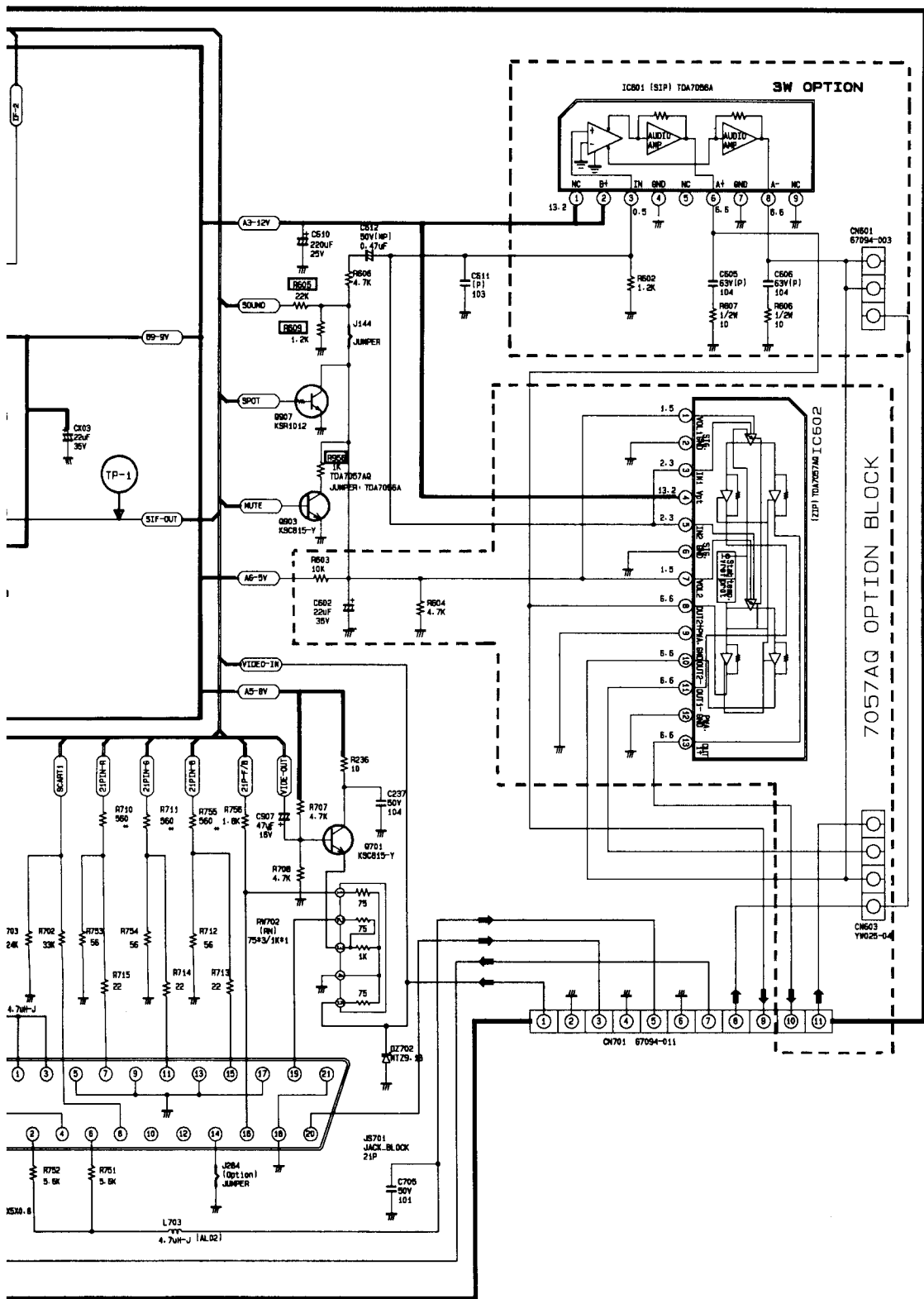
BUS-1
B+
BUS-2

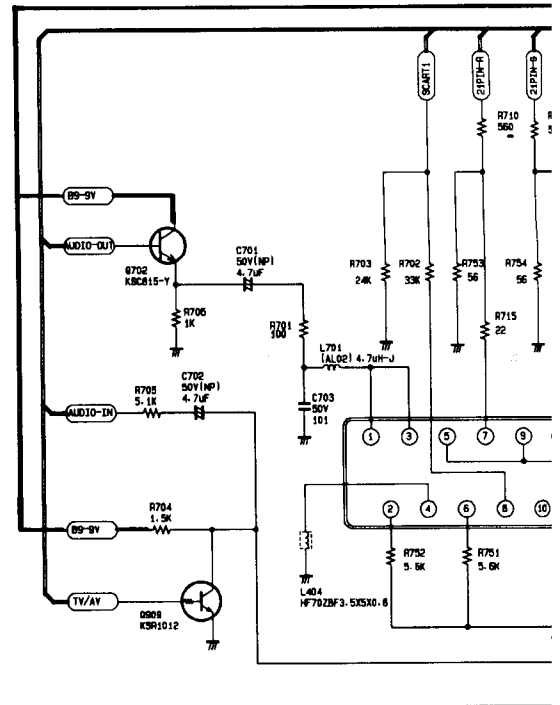
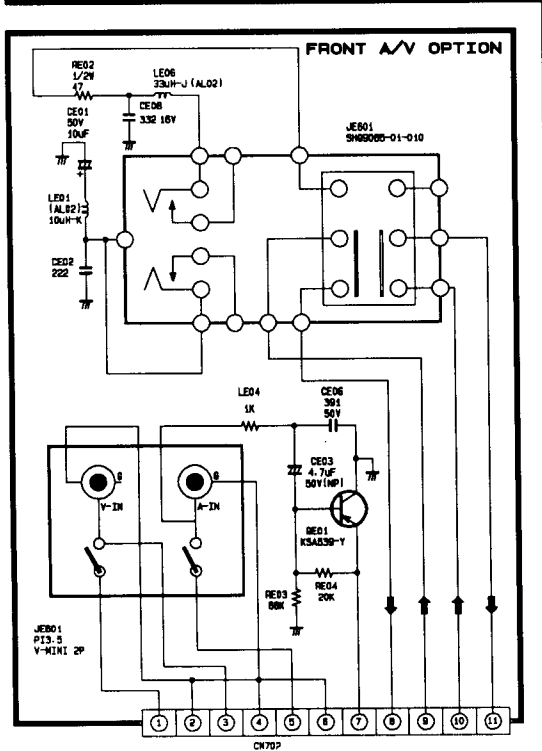
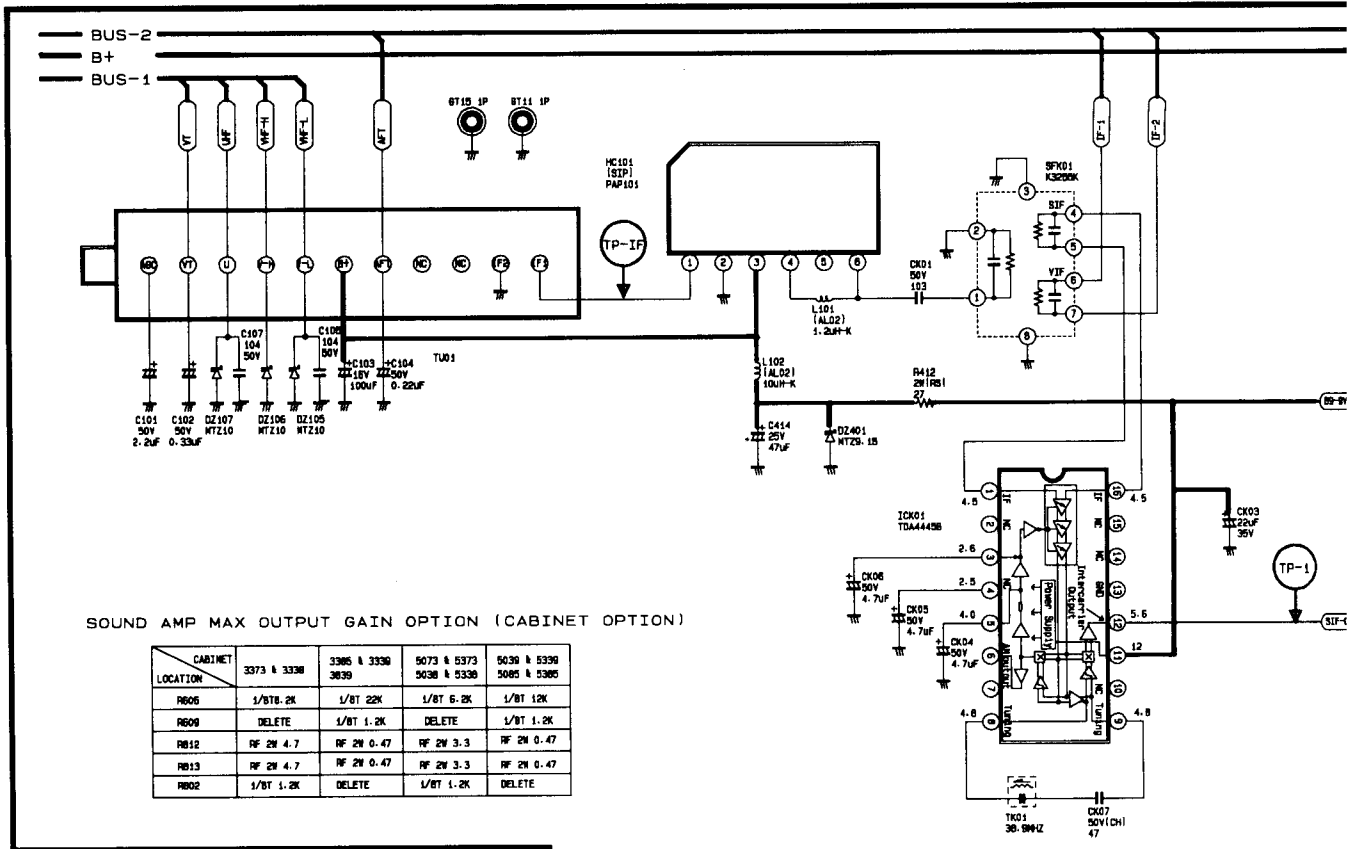
CT04 50V 104

RT06 10K
RT04 47K
RT01 27K









BUS-2
B+

LOC-NO	141NCH	201NCH	211NCH
R215	1/8T 5.1K	1/8T 5.6K	1/8T 5.6K
R305	NO 1RT 881	NO 1RT 881	NO 1RT 431
R306	1/8T 91K-F	1/8T 91K-F	1/8T 88K-F
R407	1/2T 120K-F	1/2T 110K-F	1/2T 110K-F
R411	1/2T 120K-F	1/2T 110K-F	1/2T 110K-F
R417	RF 2T 1.0	RF 1T 0.47	RF 1T 0.47
R501N	DELETE	RC 1/2T 4.7K	RC 1/2T 4.7K
R501N	RC 1/2T 4.7K	DELETE	DELETE
R502N	DELETE	RC 1/2T 4.7K	RC 1/2T 4.7K
R502N	RC 1/2T 4.7K	DELETE	DELETE
C402	CMP 1600V 630	CMP 1600V 722	CMP 1600V 722
C403	AC 2KV 331-K	AC 2KV 102-K	AC 2KV 561-K
C404	CMP 400V 364	CMP 400V 434	CMP 400V 434
T444	FKC-14A003	FSY-20A001	FSY-20A001
U401	2801111Y	33050721D	33050721D
C8501	33485-08-400K	33485-08-500K	33485-08-500K
Y999	P114.3 HI-BI	P126.5 HI-BI	P125.8 HI-BI
DRT	434K942X	A48B0082X	A51K0483X
D.Y	DSE-1422FL	DSE-1982LL(1)	DST-2182ML(1)
D.X	HY-225 F122.0	HY-281 P126.1	HY-281 P126.1
C204		470 SL	470 SL

LOC-NO	FREE VOLT	220V ONLY
IC801	SM44000D	SM440200
T801	A1206-0067	A1206-0090
R801	MPC 3W 0.2	MPC 5W 0.33
HCB01	H780169A	H780169B

